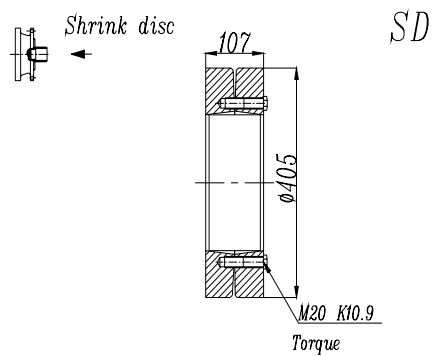
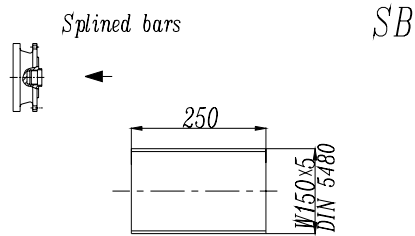
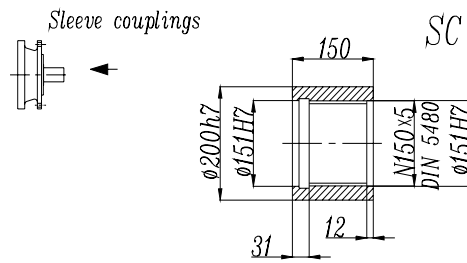
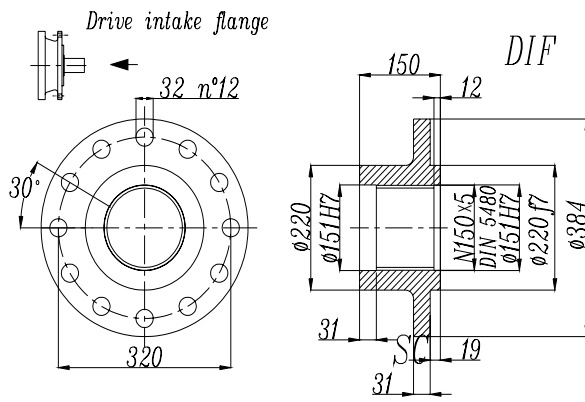
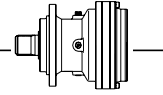
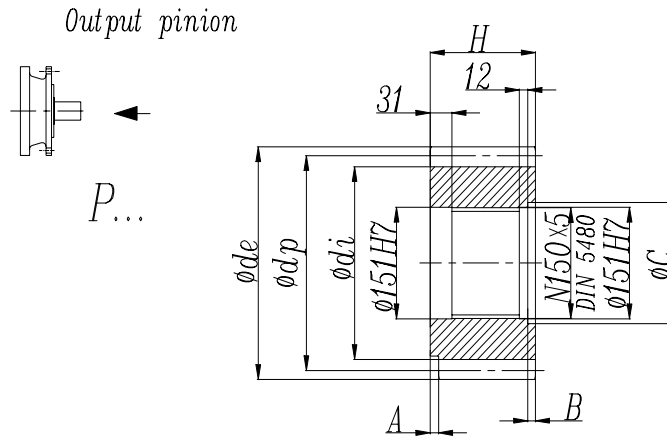


EP315 L - EP315 R

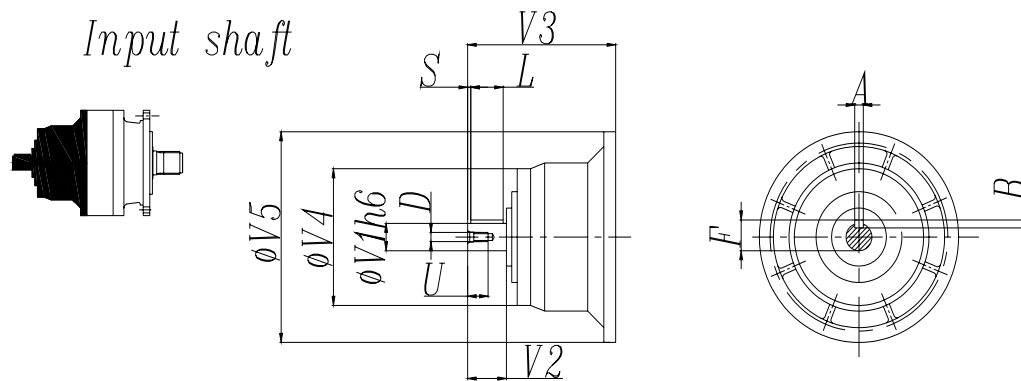




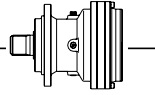
EP315 L - EP315 R



	m	z	x	dp	di	de	H	A	B	C
PRG1	18	16	0.500	288	261	342	160	0	10	166
PRG2	18	16	0.617	288	271	339	150	30	0	0

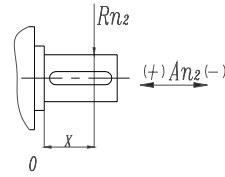
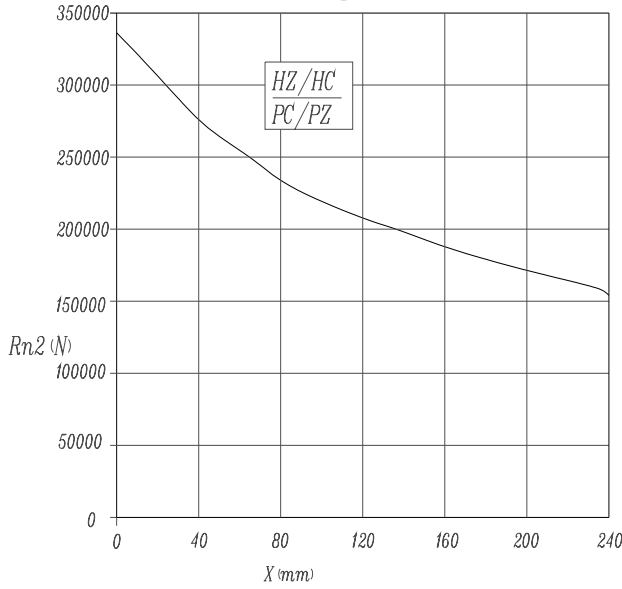


	CODE	V1	V2	V3	V4	V5	A	B	F	L	S	D	U
315 L2	V11B	80	130	348	200	428	22	14	85	110	10	M16	36
315 L3	V07B	80	130	315	200	345	22	14	85	110	105	M16	36
	V07A	60	105	315	155	345	18	11	64	90	7.5	M16	36
315 L4	V05B	48	82	239	155	245	14	9	51.5	70	6	M16	36
315 R3	V06B	60	105	307	155	292	18	11	64	90	7.5	M16	36
315 R4	V05B	48	82	239	155	245	14	9	51.5	70	6	M16	36

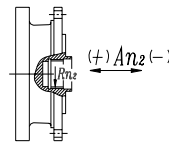


EP315 L - EP315 R

Permissible radial and axial loads on output shaft with Fh2 ($n_2 \cdot h=10\ 000$)



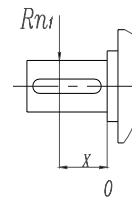
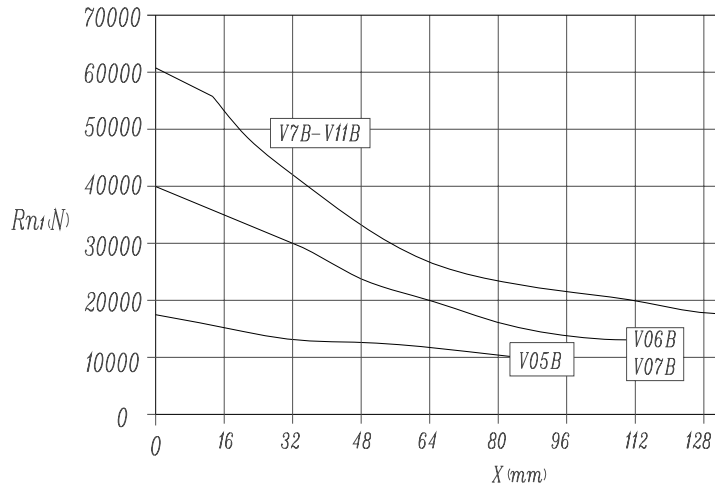
	$An_2(+)$	$An_2(-)$
HZ-HC-PC-PZ	280 000	210 000



	Rn_2	$An_2(+/-)$
FZ	90 000	90 000

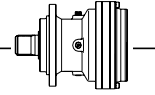
Load corrective factor fh2 on shafts	fh2= n2 • h		10 000	25 000	50 000	100 000	500 000	1 000 000
		MZ-MC-PC-PZ-FZ	HZ-HC	1	0.74	0.58	0.46	0.27
			1	0.76	0.61	0.50	0.31	0.25

Permissible radial loads on input shaft with Fh1 ($n_1 \cdot h=250\ 000$)



Load corrective factor fh1 on shafts	Fh1= n1 • h		250 000	500 000	1 000 000	2 00 000	5 000 000	10 000 000
			fh1	1	0.79	0.63	0.50	0.37

Planetary Gearbox

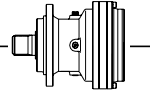


EP316L

M2'=110000N.m

	I 1:	Mn ₂ (N.m)						P ₁ (KW)	P _t (KW) (ta=20°C) (n ₁ =1500)	n ₁ (min ⁻¹)	n _{1max} (min ⁻¹)	M _b (N.m)	Brake type
		n ₂ .h 10000	n ₂ .h 25000	n ₂ .h 50000	n ₂ .h 100000	n ₂ .h 500000	n ₂ .h 1000000						
L1	4.4	135000	126000	113000	100000	66000	54000	280	68	350	500		
	5.3	130000	120000	110000	95000	60000	50000	280	68	350	500		
L2	18.0	135000	126000	113000	100000	66000	54000	180	50	750	1000		
	23.1	135000	126000	113000	100000	66000	54000	180	50	750	1000		
	27.6	130000	120000	110000	95000	60000	50000	180	50	750	1000		
	32.7	130000	120000	110000	95000	60000	50000	180	50	750	1000		
L3	61.7	135000	126000	113000	100000	66000	54000	100	30	1500	2500	3200	6L
	79.2	135000	126000	113000	100000	66000	54000	100	30	1500	2500	2600	6K
	102	135000	126000	113000	100000	66000	54000	100	30	1500	2500	2100	6G
	121	135000	126000	113000	100000	66000	54000	100	30	1500	2500	2100	6G
	144	135000	126000	113000	100000	66000	54000	90	30	1500	2500	1500	6E
	172	130000	120000	110000	95000	60000	50000	55	30	1500	2500	1100	6C
	204	130000	120000	110000	95000	60000	50000	50	30	1500	2500	1100	6C
L4	226	135000	126000	113000	100000	66000	54000	60	18	1750	3 500	800	5G
	290	135000	126000	113000	100000	66000	54000	60	18	1750	3 500	800	5G
	333	135000	126000	113000	100000	66000	54000	60	18	1750	3 500	630	5E
	396	135000	126000	113000	100000	66000	54000	51	18	1750	3 500	500	5C
	427	135000	126000	113000	100000	66000	54000	47	18	1750	3 500	500	5C
	508	135000	126000	113000	100000	66000	54000	40	18	1750	3 500	400	5B
	606	135000	126000	113000	100000	66000	54000	34	18	1750	3 500	400	5B
	676	135000	126000	113000	100000	66000	54000	30	18	1750	3 500	400	5B
	827	135000	126000	113000	100000	66000	54000	25	18	1750	3 500	400	5B
	981	135000	126000	113000	100000	66000	54000	22	18	1750	3 500	400	5B
	1171	130000	120000	110000	95000	60000	50000	18	18	1750	3 500	400	5B
	1390	130000	120000	110000	95000	60000	50000	15.5	18	1750	3 500	400	5B

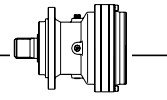
$$M_{2max}=1.2 \times Mn_2(n_2 \times h=10\ 000)$$



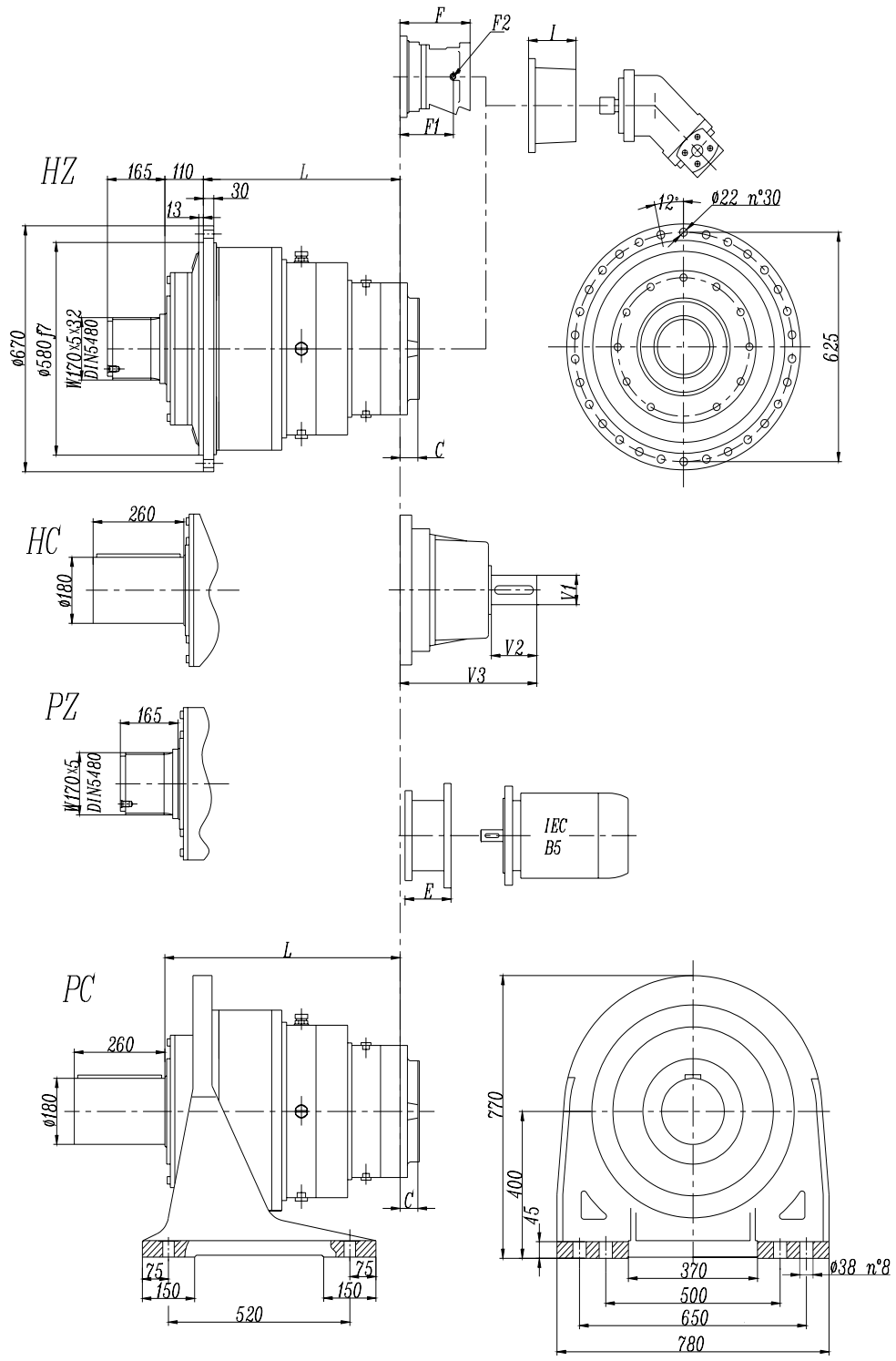
EP316R

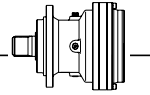
 $M_2' = 110000 \text{ N.m}$

	I 1:	Mn_2 (N.m)						P_1 (KW)	P_t (KW) ($t_a=20^\circ\text{C}$) ($n_1=1500$)	n_1 (min^{-1})	$n_{1\text{max}}$ (min^{-1})	M_b (N.m)	Brake type
		$n_2.h$ 10000	$n_2.h$ 25000	$n_2.h$ 50000	$n_2.h$ 100000	$n_2.h$ 500000	$n_2.h$ 1000000						
R3	52.7	105000	79000	64000	52000	32200	26200	100	90	1500	2 500	3200	6L
	67.7	135000	12600	113000	100000	66000	54000	150	90	1500	2 500	2600	6K
	80.7	130000	12000	110000	95000	60000	50000	150	90	1500	2 500	2100	6G
	95.8	130000	12000	110000	95000	60000	50000	130	90	1500	2 500	2100	6G
R4	234	135000	12600	113000	100000	66000	54000	75	45	1750	3 500	800	5G
	300	135000	12600	113000	100000	66000	54000	60	45	1750	3 500	630	5E
	385	135000	12600	113000	100000	66000	54000	52	45	1750	3 500	500	5C
	459	135000	12600	113000	100000	66000	54000	45	45	1750	3 500	400	5B
	545	135000	12600	113000	100000	66000	54000	40	45	1750	3 500	400	5B
	650	130000	12000	110000	95000	60000	50000	33	45	1750	3 500	400	5B
	772	130000	12000	110000	95000	60000	50000	28	45	1750	3 500	400	5B
$M_{2\text{max}} = 1.2 \times Mn_2 (n_2 \times h = 10\ 000)$													

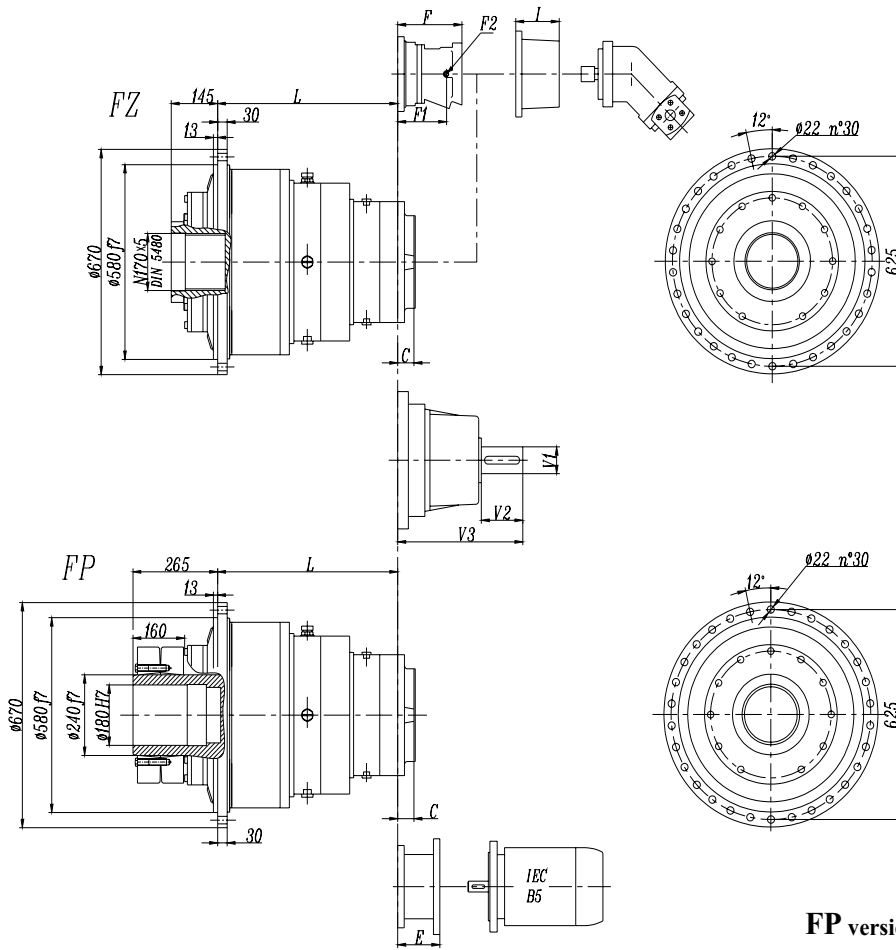


EP316 L





EP316 L



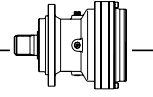
FP version

Max. transmissible

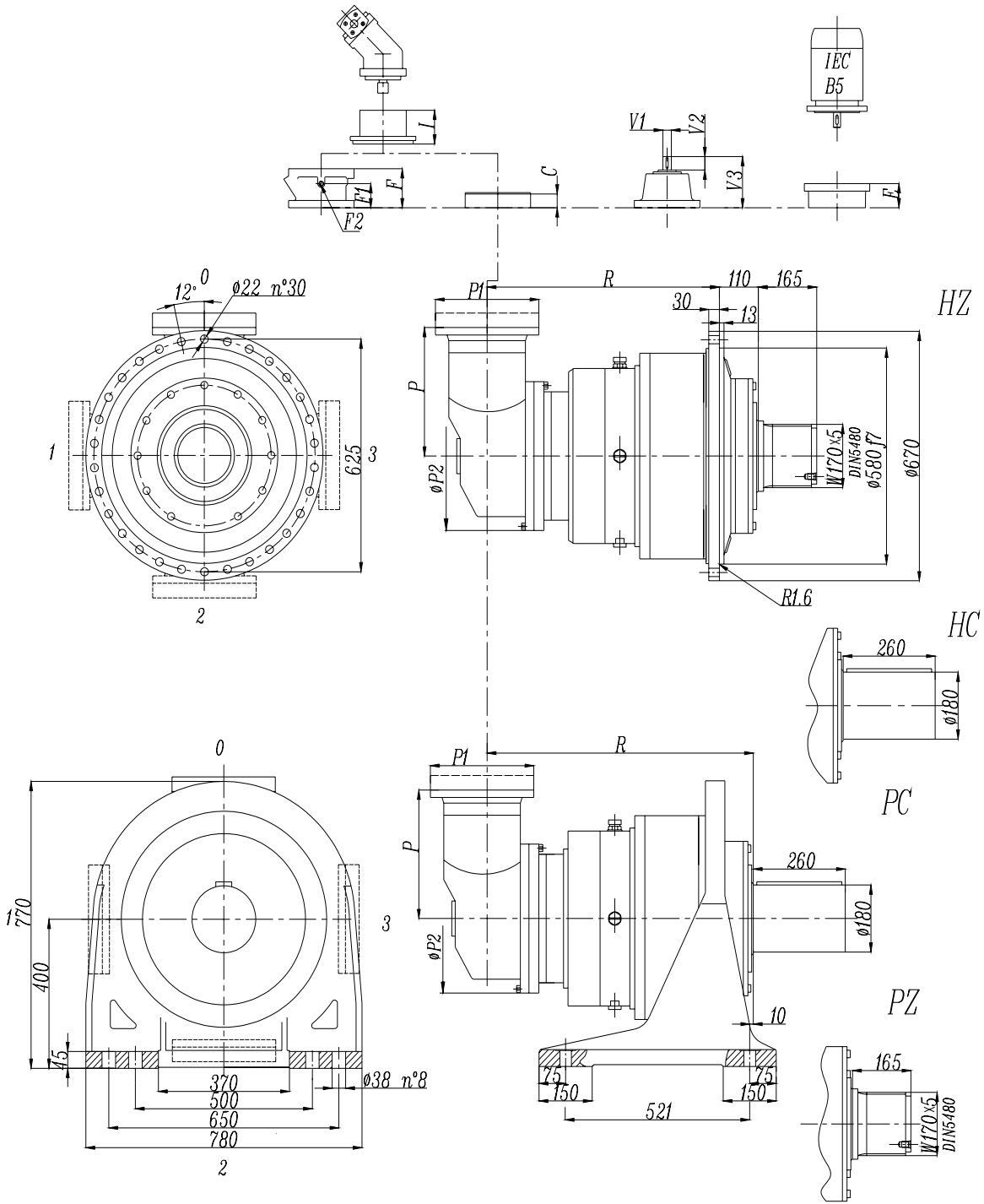
162000 N.m

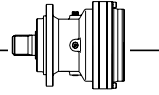
	L				Ref. weight (without input) (Kg)				C	I	Brake				
	HZ HC	PC PZ	FZ	FP	HZ HC	PC PZ	FZ	FP			F	F1	F2	Type	Ref. Weight
316 L1	179	289	179	179	500	700	430	450	156	According to hydraulic motor					
316 L2	431	541	431	431	590	790	520	540	81						
316 L3	564	674	564	564	640	840	590	460	51		201	153	1/4 G	6	38 Kg
316 L4	657	767	657	657	660	860	610	472	37		145	95	1/4 G	5	22 Kg

	E (IEC motor input)													
						IEC 132	IEC 160	IEC 180	IEC 200	IEC 225	IEC 250			
316 L1														
316 L2														
316 L3									195	186	216	215		
316 L4						114	144	114	174					

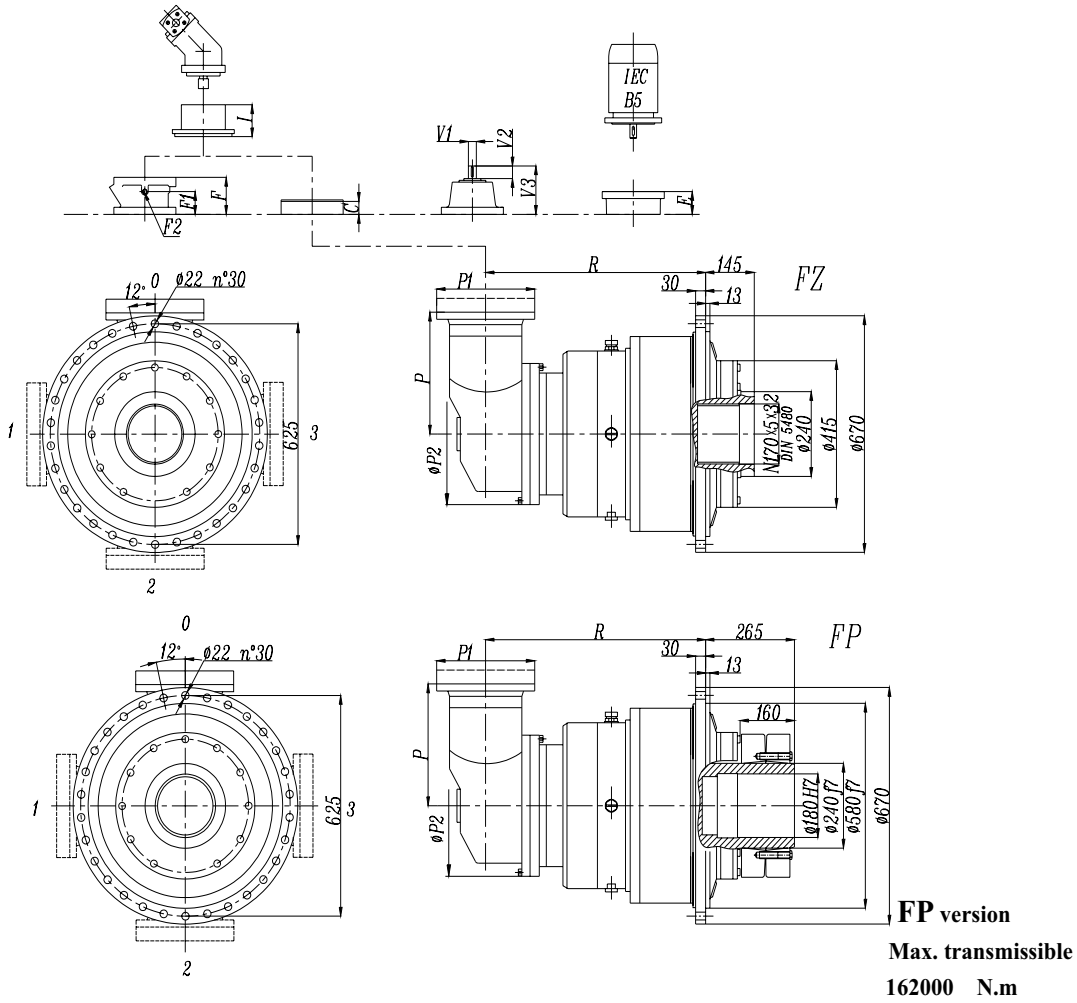


EP316 R



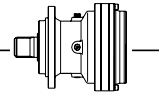


EP316 R

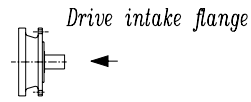


	R				Ref. weight (without input) (Kg)				C	P	I	Brake				
	HZ HC	PC PZ	FZ	FP	HZ HC	PC PZ	FZ	FP				F	F1	F2	Type	Ref. Weight 15 Kg
316 R3	656	766	656	656	720	920	650	670	45	480	According to hydraulic motor	195	147	1/4 G	6	38
316 R4	687	797	687	687	690	890	620	640	37	345		145	95	1/4 G	4	22

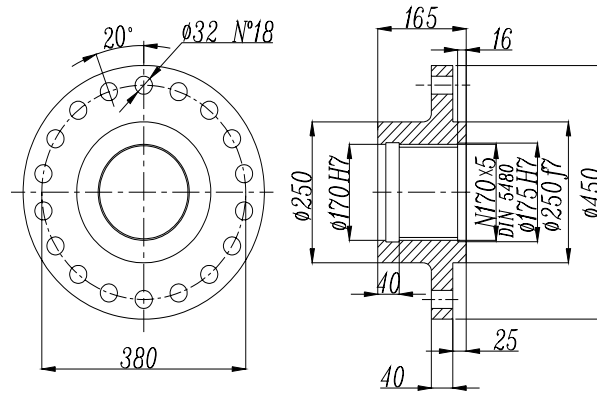
	P1	E (IEC motor input)														
		HZ	HC	FZ	FP	IEC 71	IEC 80	IEC 90	IEC 100	IEC 112	IEC 132	IEC 160	IEC 180	IEC 200	IEC 225	IEC 250
316 R3	245	130	130	110	110								152	182	212	193
316 R4	186	130	130	110	110						114	144	144	174	174	



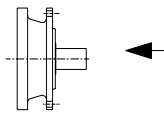
EP316 L - EP316 R



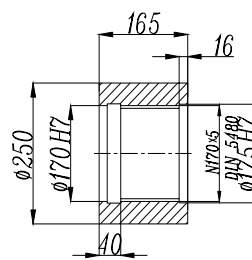
DIF



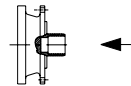
Sleeve couplings



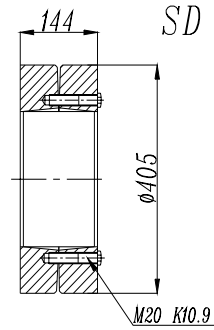
SC

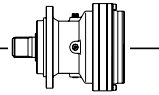


Shrink disc



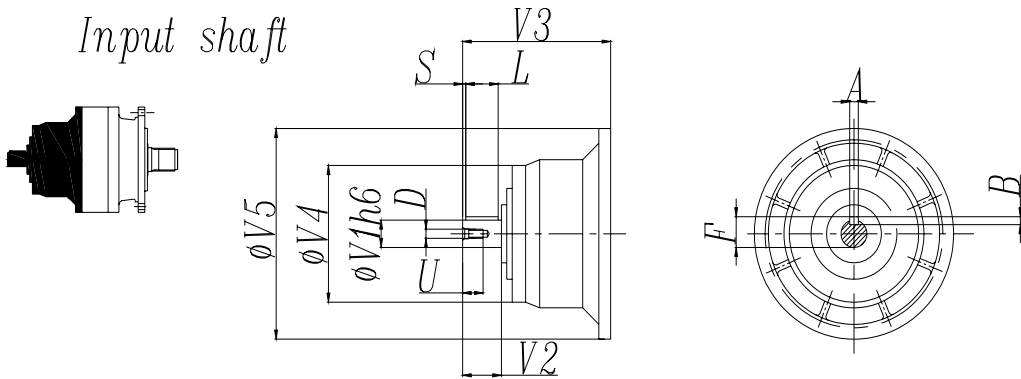
SD





EP316 L - EP316 R

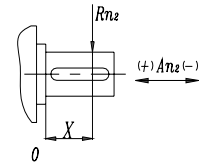
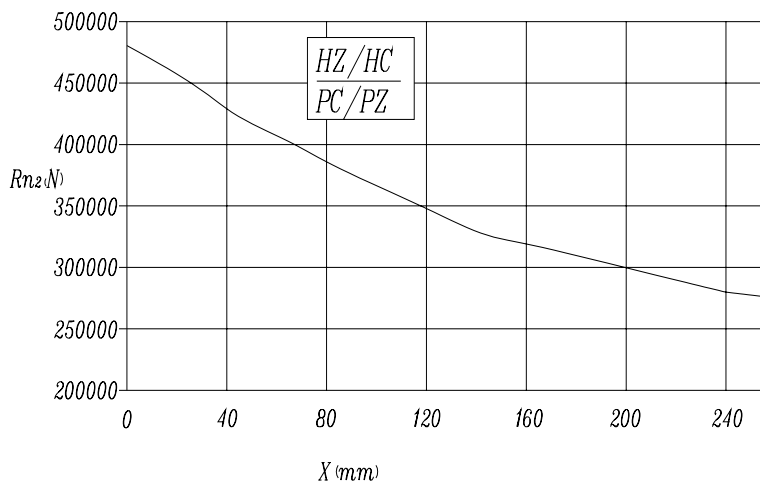
Input shaft



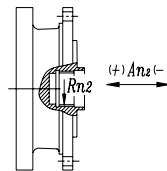
	CODE	V1	V2	V3	V4	V5	A	B	F	L	S	D	U
316 L2	V11B	80	130	348	200	428	22	14	85	110	10	M16	36
316 L3	V07B	80	130	316	200	345	22	14	85	110	105	M16	36
	V07A	60	105	316	155	345	18	11	64	90	7.5	M16	36
316 L4	V05B	48	82	239	155	245	14	9	51.5	70	6	M16	36
316 R3	V06B	60	105	307	155	292	18	11	64	90	7.5	M16	36
316 R4	V05B	48	82	239	155	245	14	9	51.5	70	6	M16	36

EP316 L - EP316 R

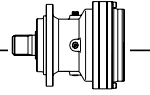
Permissible radial and axial loads on output shaft with Fh2 (n2 • h=10 000)



	An2 (+)	An2 (-)
HZ-HC-PC-PZ	360 000	300 000



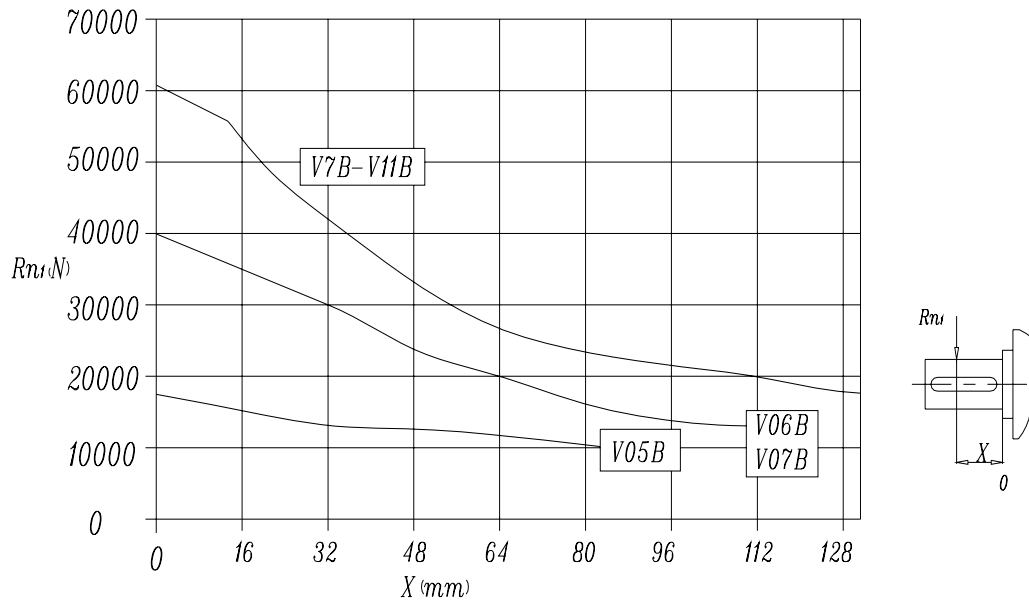
	Rn2	An2 (+/-)
FZ	150 000	150 000



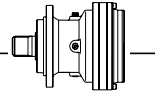
EP316 L - EP316 R

Load corrective factor fh2 on shafts	fh2= n2 • h		10 000	25 000	50 000	100 000	500 000	1 000 000
		MZ-MC-PC-PZ-FZ		1	0.74	0.58	0.46	0.27
	HZ-HC		1	0.76	0.61	0.50	0.31	0.25

Permissible radial loads on input shaft with Fh1 (n1 • h=250 000)



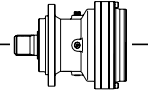
Load corrective factor fh1 on shafts	Fh1= n1 • h	250 000	500 000	1 000 000	2 00 000	5 000 000	10 000 000
		fh1	1	0.79	0.63	0.50	0.37



EP400 SERIES

TRACK DRIVES

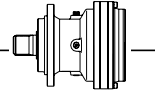




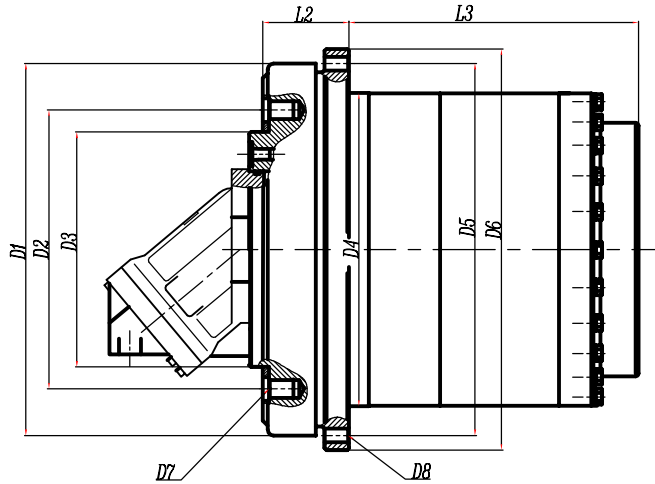
The EP400 series track drives by **HangZhou Ever-Power Transmission Co.,Ltd.** enjoy following features:

1. **Output torque Range:** 1000 ... 220000 N.m
2. **Gear Ratios:** $i=5.3$... 365
3. **Support:** rotating housing flange to fit tracks
4. **Applicable motors:** axial piston hydraulic motors, Hydraulic orbit motors
5. **Hydraulic motor options:** Pressure relief valve, Overcenter valve on request
6. **Brake:** hydraulic released parking brake on request

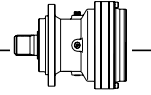
Track drives Type	Max. torque N.m	Range of ratios (i)	Max. Input speed (rpm)	Braking torque (N.m)
EP400 L1	1300	6.09	1000	120-250
EP401 L1	2800	6.09	1000	250-350
EP402 L2	5000	12.4-25.8	3000	-----
EP403 L2	6000	15.4-40	3000	220-310
EP405 L2	10000	20-53	3000	220-310
EP406 L2,L3	17000	26-140	3000	220-450
EP406A L3	24000	90-140	3000	300
EP407 L3	36000	66-140	3000	550
EP410 L3	50000	67-150	3000	800
EP413 L3	60000	94-170	3000	750
EP414 L3	80000	76-186	3000	1025
EP415 L3	110000	95-215	3000	1100
EP416 L3	160000	160-250	3000	1100
EP417 L3	220000	95-365	3000	1400



TRACK DRIVES



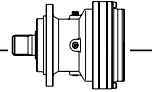
Track drives	Dimensions										
	D1	D2	D3	D4	D5	D6	D7	D8	L1	L2	L3
EP400 L1	195	175	155	160	180	200	M10×1.5 n=8	M10×1.5 n=8	21	40	104
EP401 L1	230	200	180	190	210	230	M10×1.5 n=8	M10×1.5 n=8	21	40	130
EP402 L2	190.5	165.1	133.3	200	241.3	279.4	5/8"-11 UNC n=8	1/2"-13 UNC n=9	10.2	105.9	145
EP403 L2	260	230	190	200	240	280	M16×2 n=8	M20×1.5 n=8	34	72	160
EP405 L2	260	230	190	220	260	290	M16×2 n=12	M16×2 n=16	18	72	166
EP406 L2,L3	320	290	250	280	305	330	M20×2.5 n=16	M16×2 n=16	30	82	230
EP406A L3	320	290	250	280	305	330	M20×2.5 n=16	M16×2 n=16	30	82	240
EP407 L3	350	310	270	320	350	380	M20×2.5 n=16	M16×1.5 n=16	30	90	269
EP410 L3	350	310	270	350	400	430	M20×1.5 n=20	M20×1.5 n=16	40	82	313
EP413 L3	410	370	330	370	410	450	M20×1.5 n=20	M20×2.5 n=20	25	114	318
EP414 L3	480	430	380	430	480	520	M24×3 n=20	M24×3 n=20	22	148	338
EP415 L3	500	460	420	460	500	540	M24×3 n=24	M18×1.5 n=36	22	165	361
EP416 L3	560	510	450	535	600	650	M24×2 n=30	M24×2 n=30	30	168	380
EP417 L3	650	600	460	610	680	735	M24×2 n=30	M24×2 n=30	45	170	400



EP600 SERIES

WHEEL DRIVES

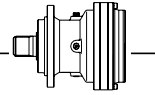




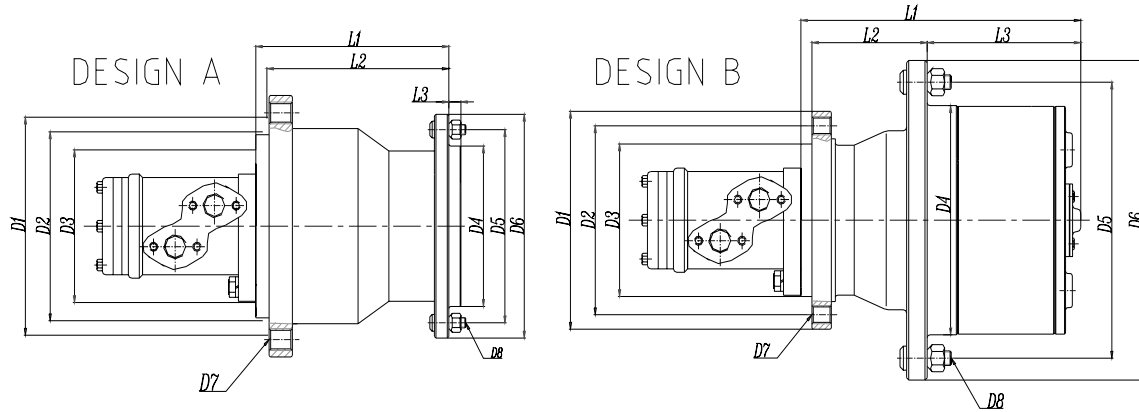
The EP600 series wheel drives by **HangZhou Ever-Power Transmission Co.,Ltd.** enjoy following features:

1. **Output torque Range:** 1750 ... 60000 N.m
2. **Gear Ratios:** $i=5.8 \dots 160$
3. **Support:** rotating housing flange to fit wheels and drums
4. **Applicable motors:** axial piston hydraulic motors, Hydraulic orbit motors
5. **Hydraulic motor options:** Pressure relief valve, Overcenter valve on request
6. **Brake:** hydraulic released parking brake on request

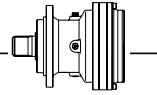
Track drives Type	Max. torque N.m	Range of ratios (i)	Max. Input speed (rpm)	Braking torque (N.m)	Design
EP601 L1A	1750	5.77	1000	450-600	A
EP603 L2A	4000	19-23-32-40	3000	210	A
EP603 L2B	4000	19-23-32-40	3000	210	B
EP602 L2	5000	12.4-25.8	3000	-----	B
EP605 L2	7000	22-27-30-42-53	3000	220-310	B
EP606 L2, L3	12000	30-35-43-68-79	3000	300-800	B
EP607 L2, L3	17000	33-75-108	3000	300-600	B
EP609 L2, L3	23000	33-142	3000	300-600	B
EP610 L2, L3	30000	20-111	3000	300-800	B
EP611 L2, L3	36000	41-47	3000	300-800	B
EP613 L3	45000	108	3000	300-800	B
EP615 L3	60000	108	3000	300-1000	B



WHEEL DRIVES



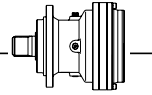
Wheel drives	Dimensions											
	D1	D2	D3	D4	D5	D6	D7	D8	L1	L2	L3	Design
EP601 L1A	260	230	200	152.4	203.2	230	15n=8	M14×1.5 n=8	245	195	10	A
EP603 L2A	270	230	190	160	205	280	M6 ×2 n=8	M18×1.5 n=6	230	175	25	A
EP603 L2B	270	230	190	200	245	280	M6 ×2 n=8	M18×1.5 n=6	230	72	128	B
EP602 L2	190.5	165.1	133.35	200	241.3	279.4	5/8"-11 UNC n=8	1/2"-13 UNC n=9	261	105.9	145	B
EP605 L2	270	230	190	220	275	310	M16×2 n=8	M20×1.5 n=6	260	72	176	B
EP606 L2, L3	330	300	270	280	335	370	M16×2 n=18	M22×1.5n=10	330	115	190	B
EP607 L2, L3	380	285	240	320	380	410	M20×2.5 n=20	M18×1.5 n=20	408	82	298	B
EP609 L2, L3	380	285	240	350	400	435	M20×2.5 n=20	M20×1.5 n=16	413	91	303	B
EP610 L2, L3	375	340	300	350	400	435	M20×2.5 n=16	M22×1.5 n=16	425	91	303	B
EP611 L2, L3	425	325	290	410	455	490	M20×2.5 n=24	M20×1.5n=24	498	110	365	B
EP613 L3	425	325	280	410	455	490	M20×2.5 n=24	M20×1.5n=24	510	110	380	B
EP615 L3	500	460	420	460	510	550	M20×2.5 n=24	M20×1.5n=24	565	130	415	B



EP700 SERIES

SLEWING DRIVES





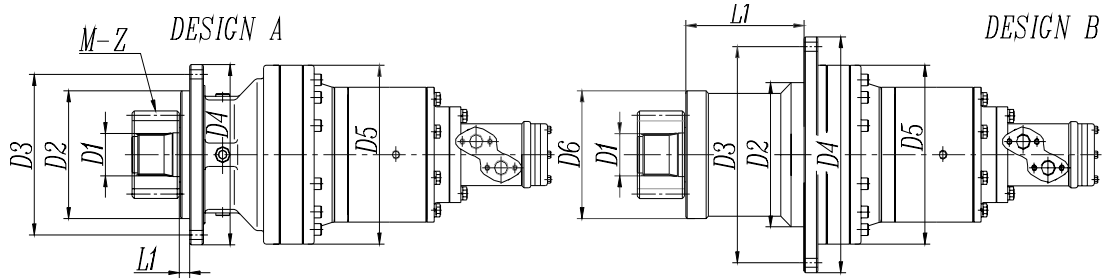
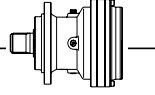
The EP700 series slew drives by **HangZhou Ever-Power Transmission Co.,Ltd.** enjoy following features:

1. **Output torque Range:** 1000 ... 80000 N.m
2. **Gear Ratios:** $i=3,3 \dots 3000$
3. **Support:** slew support (with Flange mounted)
4. **Electric Brake:** DC and AC type
5. **Output shaft:** splined or with integral pinion. Output shafts supported by heavy duty capacity bearings
6. **Applicable motors:** *axial piston hydraulic motors, Hydraulic orbit motors, IEC electric motors*
7. **Hydraulic motor options:** Pressure relief valve, Overcenter valve, parking brake on request

Slewing drives Type	Max. torque (N.m)		Range of ratios (i)	Max. Input speed (rpm)	Braking torque (N.m)	Design
	Excavator	Crane				
EP700L1A	1000	1200	3.38-7.2	2000	50-400	A
EP701L1A	1800	2400	3.38-7.2	2000	50-400	A
EP703L2A	2500	3500	12-44	3000	50-400	A
EP705L2A	5000	6500	12-44	3000	50-400	A
EP705L2B	5000	6500	12-44	3000	50-400	B
EP706L2B	7500	10000	13-44	3000	400-1000	B
EP707L2B	9000	15000	13-43	3000	400-1000	B
EP709L2B	12000	20000	14-47	3000	400-1000	B
EP710L2B	18000	30000	14-45	2500	400-1000	B
EP711L2B	20000	35000	14-45	2500	400-1000	B
EP713L3B	40000	55000	50-300	2500	400-1000	B
EP715L3B	70000	80000	52-320	2500	400-1000	B



Planetary Gearbox



Slewing drives Type	Dimensions									Design
	D1	D2	D3	D4	D5	D6	L1	M	Z	
EP700L1A	40×36 DIN 5482	19Z×2m×30P GB3478.1	150	195	220	185	--	31	Module and number of teeth of pinion please see PE300 series "Output pinion"	A
EP701L1A	40×36 DIN 5482	19Z×2m×30P GB3478.1	150	195	220	185	--	31		A
EP703L2A	58×53 DIN 5482	28Z×2m×30P GB3478.1	175	245	272	245	--	41		A
EP705L2A	58×53 DIN 5482	28Z×2m×30P GB3478.1	175	245	272	245	--	41		A
EP705L2B	58×53 DIN 5482	28Z×2m×30P GB3478.1	195	245	290	245	180	171		B
EP706L2B	70×64 DIN 5482	34Z×2m×30P GB3478.1	250	325	360	292	200	225		B
EP707L2B	80×74 DIN 5482	39Z×2m×30P GB3478.1	280	314	348	348	230	295		B
EP709L2B	80×74 DIN 5482	39Z×2m×30P GB3478.1	280	380	420	348	250	295		B
EP710L2B	100×94 DIN 5482	32Z×3m×30P GB3478.1	425	460	500	400	300	360		B
EP711L2B	100×94 DIN 5482	32Z×3m×30P GB3478.1	425	460	500	428	300	345		B
EP713L3B	120×3 DIN 5480	39Z×3m×30P GB3478.1	400	510	560	445	340	420		B
EP715L3B	150×5 DIN 5480	29Z×5m×30P GB3478.1	470	600	640	542	370	465		B